

∅172 IG series

x150x51mm



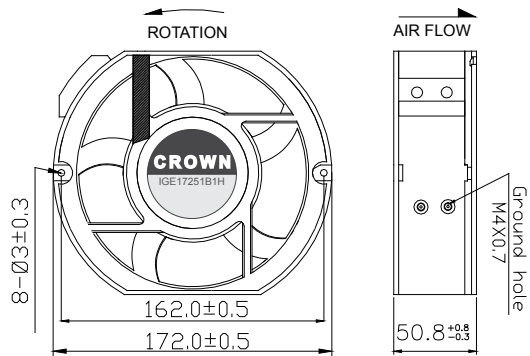
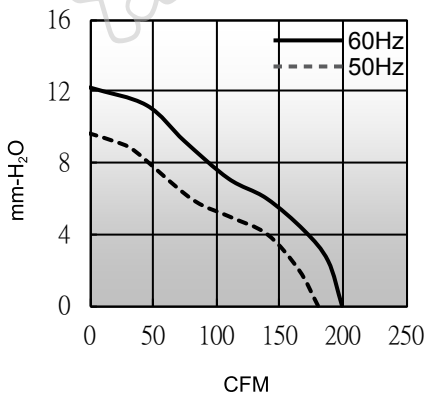
General Specifications

- Motor : Shaded pole AC motor
- Frame & Impeller : Al Die-casting & PBT plastic
- Storage temperature : -40°C to +75°C
- Operating temperature : -10°C to +70°C

Major Characteristic Parameters

Model	Bearing System	Rated Voltage	Freq.	Power Input	Rated Speed	Maximum Air Flow	Maximum Static Pressure	Sound Level	Weight		
Part NO.	B / S	V	Hz	W	RPM	m ³ /min	CFM	mm-H ₂ O	In-H ₂ O	dBA	Kg
IGE17251BH1	B / S	110	50/60	35/32	2700/3000	5.09/5.66	180/200	9.6/12.2	0.38/0.48	50/52	1.05
IGE17251BH2	B / S	230	50/60	35/32	2700/3000	5.09/5.66	180/200	9.6/12.2	0.38/0.48	50/52	1.05

*Bearing system B: Two Ball Bearing F: Fluid Bearing S: Sleeve Bearing



unit:mm